



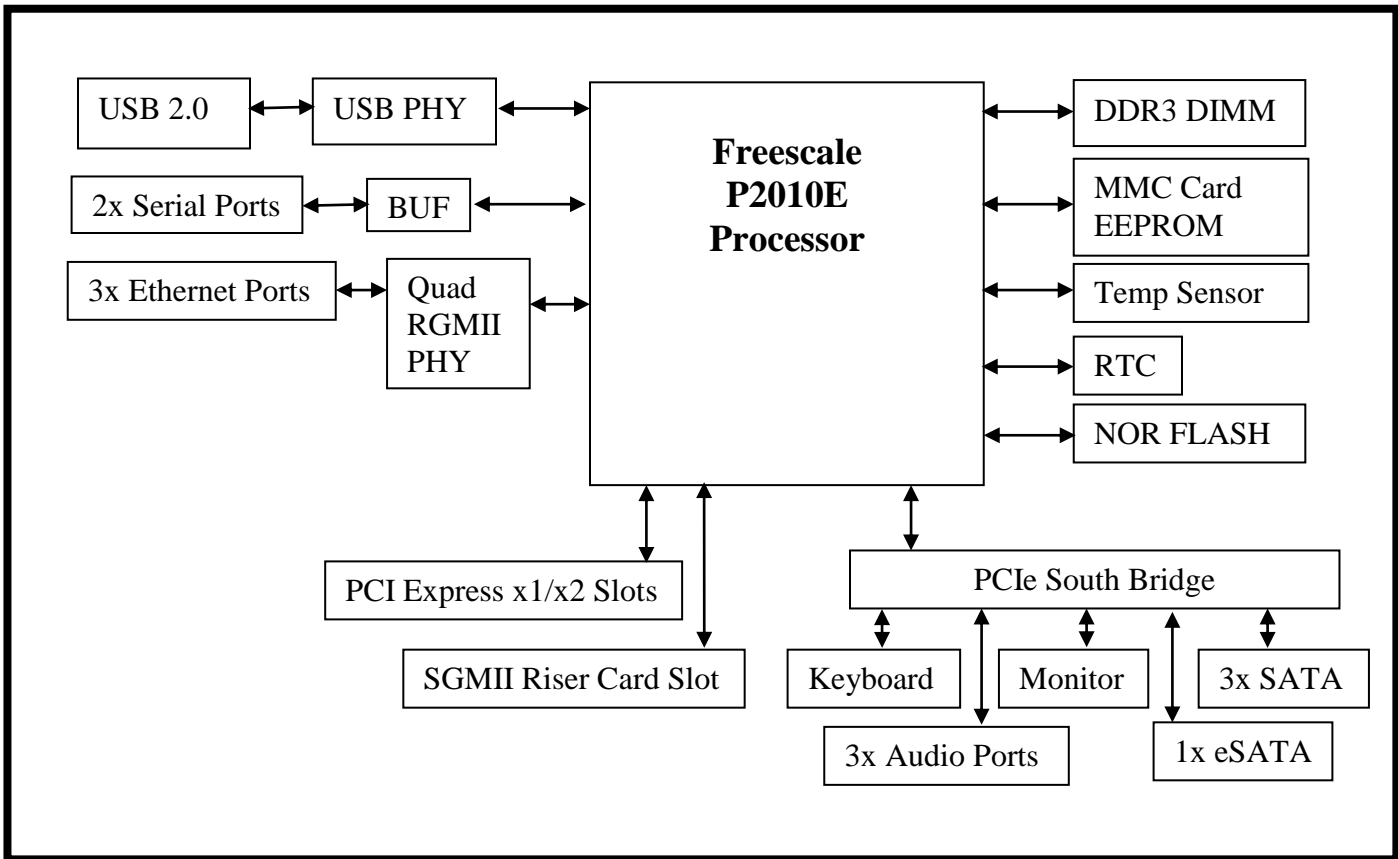
Freescale P2020 Processor Board Reference Design

Product Brief

Introduction	Applications
<p>The Freescale P2020 Processor Board Reference design is a highly flexible board design that can be used in many different types of applications. The QorIQ family of processors feature a range of devices so that this platform may be modified to fit your needs.</p>	<ul style="list-style-type: none"> • Networking, Cloud and Storage <ul style="list-style-type: none"> ○ Switches and Routers/Gateways ○ Unified Threat Management (UTM) ○ Network Attached Storage • Military and Industrial <ul style="list-style-type: none"> ○ Single Board Computers ○ Industrial Robot ○ Fieldbus to Ethernet Gateway
Features	
<p>This board reference design is based on the P2020E QorIQ dual core communications processor and comes with many different interfaces which can be configured from the list below.</p> <ul style="list-style-type: none"> • P2020 QorIQ communication processor with dual e500 processor cores ranging from 800-1200MHz • Memory Interfaces: 2GB DDR2/DDR3, 128MB NOR FLASH, 16MB SPI ROM, 256B NVRAM. • High Speed Interfaces supporting various Multiplexing Options: <ul style="list-style-type: none"> ○ 3x 10/100/1000 Mbps Ethernet controllers. ○ 3x PCI Express interfaces ○ 2x Serial RapidIO interfaces ○ 2x SGMII interfaces • Integrated Security Engine • IEEE 1588 support • Programmable Interrupt Controller. • Dual High-Speed USB controller (USB 2.0) • 2x I2C Controllers • Enhanced local bus controller (eLBC) 	
Software Support	Benefits
<ul style="list-style-type: none"> • Freescale Linux 2.6x Kernel • Freescale CodeWarrior™ USB TAP 	<ul style="list-style-type: none"> • Highly customizable design • Reduced time-to-market by leveraging existing Schematics and Design Documentation • Feature rich platform


Block Diagram

The block diagram below shows a typical setup, which can be customized to meet your design needs.



Service and Support

Innovaide's highly experienced team will ensure that your board design meets all of your requirements. We can take your requirements from Specification to Schematics and finally board bring-up and MFG release. Our Software Team can provide you the Diagnostic Support and both the High & Low Level Driver support. Send us a RFQ to sales@innovaide.com.

 Global Engineering Services	Contact Information Email: sales@innovaide.com Web: www.innovaide.com Phone: (508)-630-0307
	Headquarters: 241 Boston Post Road West. Marlborough, MA-01752
<small>Copyright 2014 Innovaide Inc. All rights reserved. Innovaide and the Innovaide logo are trademarks of Innovaide Inc. All other trademarks are the property of their respective owners. Although Innovaide strives for accuracy in all its publications, this material may contain errors or omissions and is subject to change without notice. This material is provided as is and without any express or implied warranties, including merchantability, fitness for a particular purpose and non-infringement. Innovaide Inc. shall not be liable for special, indirect, incidental or consequential damages as a result of its use.</small>	